

Microfine APP Series Cartridge Filters

Absolute Rated Polypropylene melt blown depth filter for consistent and cost effective filtration



APP Melt Blown Media Filter Cartridges are absolute rated 100% all polypropylene filters designed for critical processes that require consistent filtration performance. The gradient porosity structure enables full utilization of filter depth resulting in a filter with high dirt holding capacity and long life. The 100% all polypropylene construction gives wide chemical compatibility and extremely low extractables. These cartridges offer exceptional value in both removal efficiency and dirt holding capacity where protection of more expensive membrane filters is important.

Construction Materials

Filtration Media	Melt Blown Polypropylene
End Caps	Polypropylene
Sealing Method	Thermal Bonding
O-rings	Buna, Viton® (or FKM), EP, Silicone, FEP Encapsulated Silicone, FEP Encapsulated Viton (or FKM)

Dimensions

Length	9.75 to 40 in. (23 to 101.6 cm) nominal
Outside Diameter	2.50 in. (6.35 cm) nominal

Applications

- ◆ Plating Solutions
- ◆ Wash Solutions
- ◆ Cosmetics
- ◆ Process cooling water
- ◆ CMP Slurry
- ◆ Paints and coatings
- ◆ Bottled water
- ◆ Chemicals and solvents

Maximum Operating Parameters

Differential Pressure	
• Forward	60 psid (4.1 bard)
• Reverse	20 psid (2.7 bard)
Operating Temperature	80 °C (176 °F)
Recommended Changeout Pressure	35 psid (2.4 bard)

FDA and EC Compliance

All Microfine Filter cartridge filters are designed to meet the FDA requirements for processing food and beverage products. The materials used to construct NPP filters are listed by the FDA for use in articles intended for repeated food contact as specified in Title 21 CFR sections 174.5, 177.1500, 177.1520, 177.1630, 177.2440 and 177.2600 as appropriate. NPP filters comply with Title 21 CFR sections 210.3 (b)(6) and 211.72, for non-fiber releasing filters. All materials used to make the filters are listed in European Commission Regulation EU/10/2011, Annex 1.

Extractables

NPP filters typically exhibit low levels of non-volatile residues.

Total Performance

Microfine Filters is a manufacturer of filtration products to industries in which filtration is considered a critical part of the manufacturing process. We supply a complete line of products and services to help you cost effectively satisfy all your filtration requirements from a single source.

Quality Assurance and Standards

Our goal is to ensure our customers the greatest possible value for their filtration dollar. Our state of the art manufacturing facility and quality management system both meet ISO 9001:2008 standards. Each operation from assembly and test to cleaning, drying, and packaging is done in appropriately rated clean rooms.

Flow Rate vs Differential Pressure

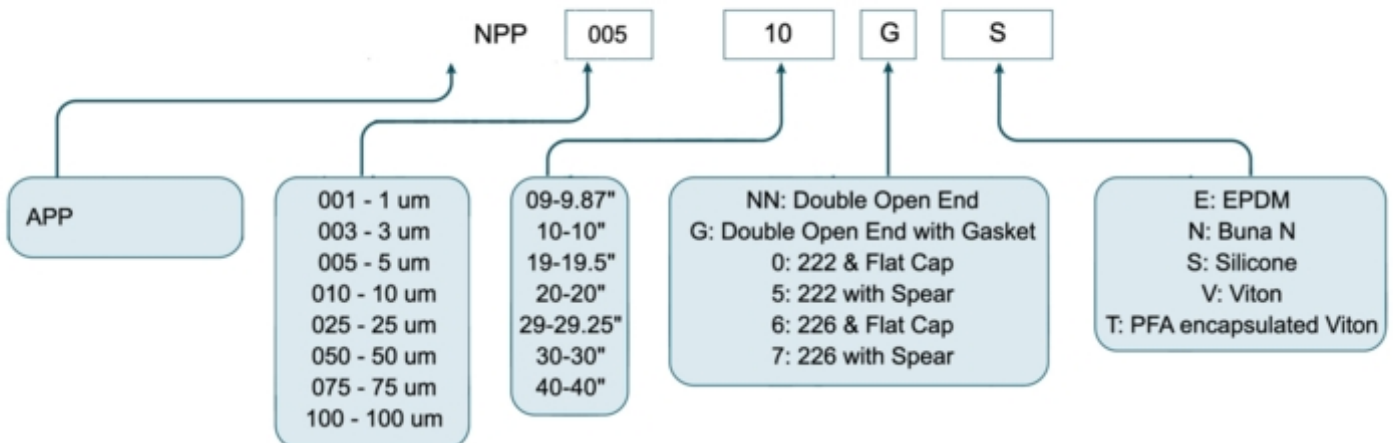
The Flow Rates vs Differential table represents typical pressure drop at 5 gallons per min flow across a single 10 in. cartridge element. The test fluid is water at ambient temperature. Extrapolation for housings with multiple elements and higher pressure drops is acceptable, but as flows increase the pressure drop of the housing becomes more apparent.

Typical Flow Rates Vs Differential Pressure

Micron Rating	0.5 µm	1.0 µm	3.0 µm	5.0 µm	10.0 µm	25.0 µm	50.0 µm	75.0 µm	100.0 µm
Differential Pressure	psid	0.71	0.65	0.57	0.43	0.28	0.14	0.09	0.07
	mbard	49.03	45.11	39.23	29.41	19.60	9.80	6.37	4.90

Ordering Guide

Cartridge order numbers have several variables from pore size to end cap type. For example: APP cartridge, 5.0 Micron Rating, 10" Length, Double Open End with Gasket, Silicone Gaskets, =APP00510GS.



Microfine Filters

For Technical queries, please drop us an email at:
technical@microfinefilters.com.tw

For all matters related to sales or distributorship please contact us at:
sales@microfinefilters.com.tw

For more details visit our website:
www.microfinefilters.com.tw