

# Microfine NNN Series Cartridge Filters

100% Melt Blown Nylon Cartridges  
for high temperature applications



NNN Melt Blown depth filter cartridges are designed for applications where use of polypropylene is limited due to high temperature or compatibility issues. These cartridges also feature integral nylon core and come with a full range of thermally welded end caps. Our superior manufacturing techniques ensure a cartridge with high void volume resulting in low pressure drops and excellent dirt holding capacity.

## Construction Materials

<b>Filtration Media</b>	Melt Blown micro-denier Nylon fibres
<b>End Caps</b>	Nylon
<b>Sealing Method</b>	Thermal Bonding
<b>O-rings</b>	Buna, Viton® (or FKM), EPDM, Silicone, FEP Encapsulated Viton (or FKM)

## Dimensions

<b>Length</b>	9.75 to 40 in. (23 to 101.6 cm) nominal
<b>Outside Diameter</b>	2.50 in. (6.35 cm) nominal

## Applications

- ◆ Petrochemicals
- ◆ Fine Chemicals
- ◆ Solvents
- ◆ High temperature applications

## Maximum Operating Parameters

<b>Differential Pressure</b>	
• Forward	- 40 psid (1 um to 25 um)
	- 15 psid (50um to 100 um)
<b>Operating Temperature</b>	120 °C (248 °F)
<b>Recommended Changeout Pressure</b>	- 30 psid (1 um to 25 um)
	- 10 psid (50um to 100 um)

## FDA and EC Compliance

All Microfine Filter cartridge filters are designed to meet the FDA requirements for processing food and beverage products. The materials used to construct NPP filters are listed by the FDA for use in articles intended for repeated food contact as specified in Title 21 CFR sections 174.5, 177.1500, 177.1520, 177.1630, 177.2440 and 177.2600 as appropriate. NPP filters comply with Title 21 CFR sections 210.3 (b)(6) and 211.72, for non-fiber releasing filters. All materials used to make the filters are listed in European Commission Regulation EU/10/2011, Annex 1.

## Total Performance

Microfine Filters is a manufacturer of filtration products to industries in which filtration is considered a critical part of the manufacturing process. We supply a complete line of products and services to help you cost effectively satisfy all your filtration requirements from a single source.

## Quality Assurance and Standards

Our goal is to ensure our customers the greatest possible value for their filtration dollar. Our state of the art manufacturing facility and quality management system both meet ISO 9001:2008 standards. Each operation from assembly and test to cleaning, drying, and packaging is done in appropriately rated clean rooms.

## Flow Rate vs Differential Pressure

The Flow Rates vs Differential table represents typical pressure drop at 5 gallons per min flow across a single 10 in. cartridge element. The test fluid is water at ambient temperature. Extrapolation for housings with multiple elements and higher pressure drops is acceptable, but as flows increase the pressure drop of the housing becomes more apparent.

### Typical Flow Rates Vs Differential Pressure

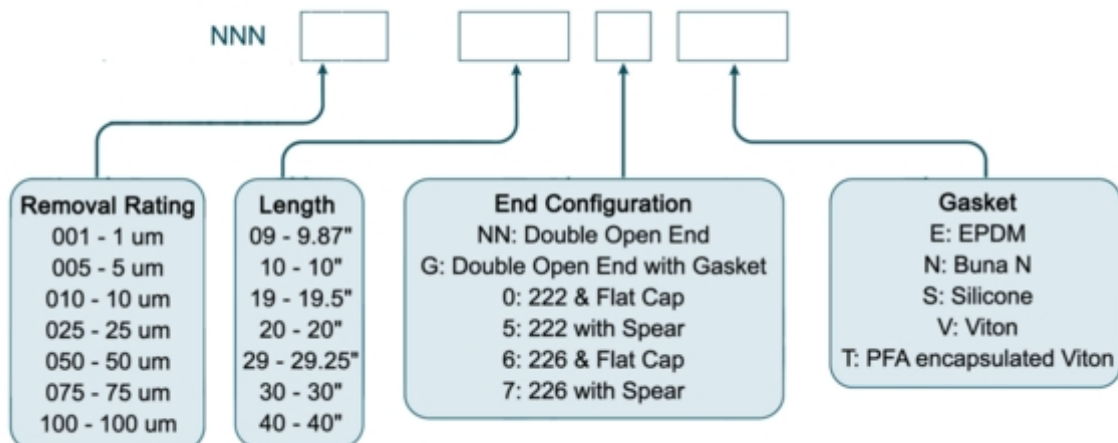
Micron Rating		1.0 µm	5.0 µm	10.0 µm	25.0 µm	50.0 µm	75.0 µm	100.0 µm
Differential Pressure	psid	1.14	1.00	0.85	0.75	0.70	0.57	0.43
	mbard	78.45	68.65	58.84	51.92	49.00	39.22	29.42

## Initial Particle Removal Efficiency

Filter	Removal Efficiency	Partical Size
NNN001	>90%	2 µm
NNN005	>90%	5 µm
NNN010	>90%	10 µm
NNN025	>90%	25 µm
NNN050	>90%	50 µm
NNN075	>90%	75 µm
NNN100	>90%	100 µm

## Ordering Guide

Cartridge order numbers have several variables from pore size to end cap type. For example: NNN cartridge, 5.0 Micron Rating, 10" Length, Double Open End with Gasket, Silicone Gaskets, =NNN00510GS.



### Microfine Filters

For Technical queries, please drop us an email at: [technical@microfinefilters.com.tw](mailto:technical@microfinefilters.com.tw)

For all matters related to sales or distributorship please contact us at: [sales@microfinefilters.com.tw](mailto:sales@microfinefilters.com.tw)

For more details visit our website: [www.microfinefilters.com.tw](http://www.microfinefilters.com.tw)